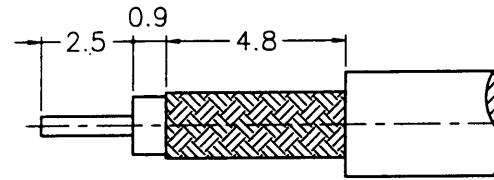
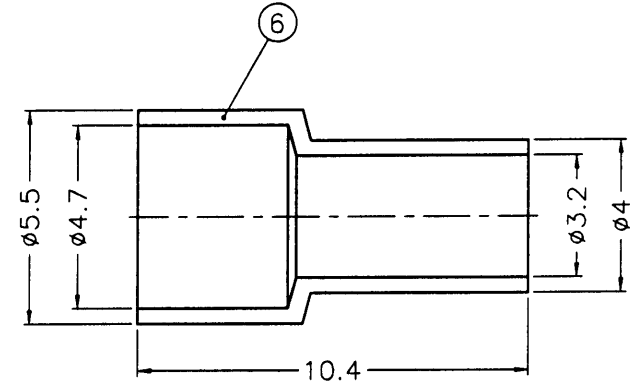
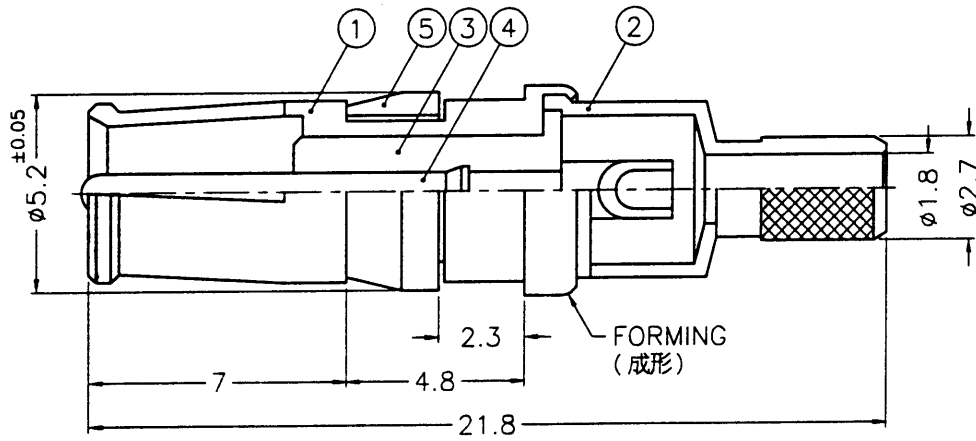


REVISIONS			
ISS	ZONE	DESCRIPTION\PER REQUEST\DATE	
A1	A-7	KJ-DS1111C1-N/3GT3G-316U-50 WAS KJ-DS1111C1-3GT3G-316U-50\N/A\01-22-02'	
B	A-1	NO.5 WAS CHANGED\RD-DM91050801Y\05-08-02'	

SALES



RECOMMENDED
CABLE STRIPPING DIM'S
(建議剝線尺寸)



ISSUED
2002. 10. 09
R&D

NOTES: FINISH (PLATING THICKNESS IN MICRO-INCHES)

- BRASS PER QQ-B-626
- GOLD PL. 3 MIN. THICK OVER NICKEL PL. 100 MIN. THICK OVER COPPER STRIKE
- TEFLON MIL-P-19468
- NICKEL PL. 100 MIN. THICK OVER COPPER STRIKE

- CRIMPED FERRULE
HEX CRIMP SIZE .128"
- CONTACT PIN TO SOLDER

NO.	DESCRIPTION	MATERIAL	FINISH	Q'TY	DRAWING NO.
6	FERRULE		NOTE 1	NOTE 2	1 FR-55/47-4/32X104
5	RETAINER RING		NOTE 1	NOTE 4	1 SZ1111C1-5-C
4	CONTACT PIN		NOTE 1	NOTE 2	1 SZ1111C1-4
3	INSULATOR		NOTE 3	NATURAL	1 SZ1111C1-3T-50-A
2	BARREL		NOTE 1	NOTE 2	1 SZ1111C1-2-27/18-B
1	BODY		NOTE 1	NOTE 2	1 SZ1111C1-1-A

DIMENSIONS ARE IN MILLIMETERS
UNLESS OTHERWISE SPECIFIED TOLERANCES

0.5-6	= ±0.2
6-30	= ±0.4
30-120	= ±0.6
120-315	= ±1
315-1000	= ±1.6
1000-2000	= ±2.4

PART NO.	
APPROVED	Andy. C 10-09-02'
CHECKED	Andy. C 10-09-02'
DRAWN	Joyce. Y 10-09-02'
FILE NO.	F:\DWG\DS\1111C1\316U-50\N3GT3G

Amphenol - Kai Jack	
TAINAN TAIWAN	
TITLE	D-SUB CRIMP JACK (FOR RG-174/U, 188A/U, 316/U)
DRAWING NO.	KJ-DS1111C1-N/3GT3G-316U-50
ITEM NO.	181111AAA36NF5F

7 RD-DR 15662 8